

# VIPERCROSS™

SUPPORT CATHETER

SUPPORT.  
CROSS.  
NAVIGATE.



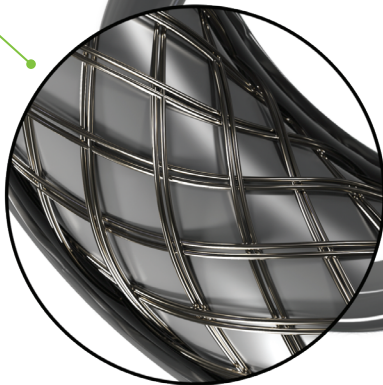
# BALANCED SUPPORT AND FLEXIBILITY.

## CROSS CHALLENGING LESIONS AND NAVIGATE TORTUOUS ANATOMY.

ViperCross™ Support Catheters are designed to provide optimal guidewire support, facilitate guidewire exchange, and navigate tortuous anatomy in complex peripheral vascular cases. With a variable-pitch stainless-steel braid design, this portfolio of catheters offers proximal support and distal flexibility for crossing challenging lesions.

### Variable-pitch stainless-steel braid design

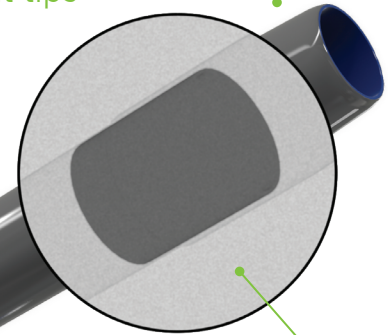
Provides balance of guidewire support while navigating tortuous anatomy



### Portfolio of sizes and lengths

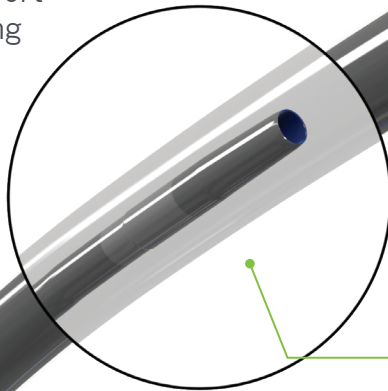
Guidewire-compatible sizes (.014, .018, and .035) provide support and flexibility, with 65 cm, 90 cm, 135 cm and 150 cm length options.

### Angled\* and straight tips



### Hydrophilic coating

Facilitates pushability and trackability



### Radiopaque marker bands for visibility

Three marker bands placed at 1 mm, 5 cm and 10 cm from the tip of the catheter

### Telescoping technology

Enables the .014 and .018 to fit inside the .035 catheter for increased support to cross highly challenging lesions

5 cm marker band

10 cm marker band

\*Angled tip available only in .035" catheters.

## ViperCross™ PRODUCT ORDERING GUIDE

PRODUCT	MODEL NUMBER
0.014" ViperCross Support Catheter - straight 135 cm	P1VC-014STR-135
0.014" ViperCross Support Catheter - straight 150 cm	P1VC-014STR-150
0.018" ViperCross Support Catheter - straight 65 cm	P1VC-018STR-065
0.018" ViperCross Support Catheter - straight 90 cm	P1VC-018STR-090
0.018" ViperCross Support Catheter - straight 135 cm	P1VC-018STR-135
0.018" ViperCross Support Catheter - straight 150 cm	P1VC-018STR-150
0.035" ViperCross Support Catheter - straight 65 cm	P1VC-035STR-065
0.035" ViperCross Support Catheter - straight 90 cm	P1VC-035STR-090
0.035" ViperCross Support Catheter - straight 135 cm	P1VC-035STR-135
0.035" ViperCross Support Catheter - straight 150 cm	P1VC-035STR-150
0.035" ViperCross Support Catheter - angled 65 cm	P1VC-035ANG-065
0.035" ViperCross Support Catheter - angled 90 cm	P1VC-035ANG-090
0.035" ViperCross Support Catheter - angled 135 cm	P1VC-035ANG-135
0.035" ViperCross Support Catheter - angled 150 cm	P1VC-035ANG-150

ViperCross peripheral support catheters are intended to be used in conjunction with steerable guidewires to access discrete regions of the peripheral vasculature. They may be used to facilitate placement and exchange of guidewires and other interventional devices and to sub-selectively infuse/deliver diagnostic and therapeutic agents.

**CAUTION:** Federal law (USA) restricts this device to sale by, or on the order of, a physician.

## THE POWER OF CONSTANT PROGRESS.

For more information, please contact your local CSI representative or call customer service at **1-877-274-0901**.



1225 Old Hwy 8 NW, St. Paul, MN 55112

**CARDIOVASCULAR  
SYSTEMS, INC.**

**T:** 651.259.1600  
877.274.0901

**F:** 612.677.3355  
[www.csi360.com](http://www.csi360.com)